

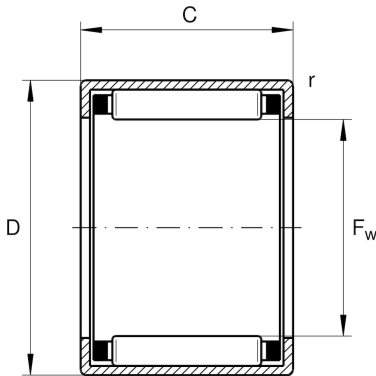
HK1312

Drawn cup needle roller bearing open end

Schaeffler ID:
0000592770000

Drawn cup needle roller bearings with
open ends HK, to DIN 618/ISO 3245

Technical information



Main Dimensions & Performance Data

F_w	13 mm	Under roller diameter
D	19 mm	Outside diameter
C	12 mm	Width
C_r	6,800 N	Basic dynamic load rating, radial
C_{0r}	7,900 N	Basic static load rating, radial
C_{ur}	960 N	Fatigue load limit, radial
n_G	18,700 1/min	Limiting speed
$n_{G \text{ Grease}}$	11,200 1/min	Limiting speed for grease lubrication
n_{gr}	14,400 1/min	Reference speed
	9.44 g	Weight

Dimensions

C_1	12 mm	Width, outer ring
r_{min}	0.8 mm	Minimum chamfer dimension
	G13X19X3	Sealing ring 2
	LR10X13X12,5	Suitable inner rings LR
	IR10X13X12,5-XL	Suitable inner rings IR

Temperature range

T_{min}	-30 °C	Operating temperature min.
T_{max}	140 °C	Operating temperature max.